

Parts Catalogue

for model

CRL-CSL 484 WS - CRL-CSL 484 WSQ

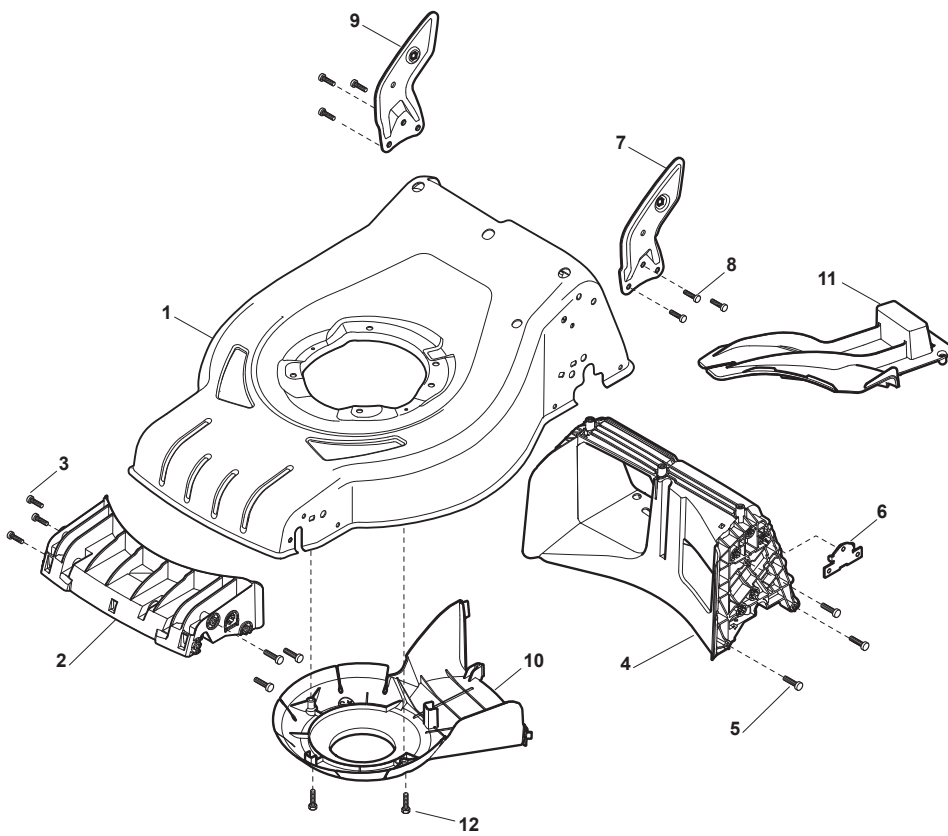
- Use GLOBAL GARDEN PRODUCT Genuine Spare Parts specified in the parts list for repair and/or replacement.
- The contents described in the parts list may change due to improvement.
- The drawings of the spare parts are only indicative and might not represent the part in question exactly.
- The indications "right" - "left" - "front" - "rear" refer to the position of the operator when using the machine.
- When placing orders of parts for repair and/or replacement, make sure that the illustrated parts list is the one applying to the machine's year of manufacture, as shown on the identification plate attached to the machine.

© Copyright 2015 Global Garden Products

All content is subject to copyright by Global Garden Products and may not be reproduced in whole or in part by any means, electronic or otherwise, without prior written approval.

THIS INFORMATION IS NOT INTENDED FOR SALE OR RESALE, AND THIS NOTICE MUST REMAIN ON ALL COPIES.

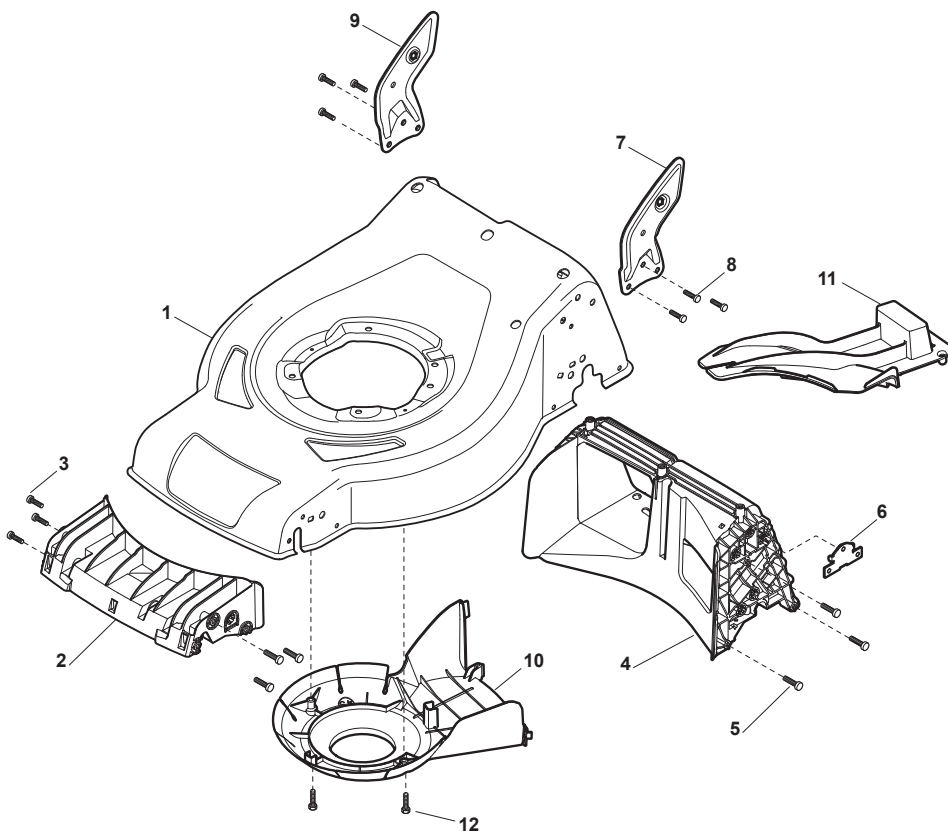




WBH Petrol Steel Deck

Issue 9 - 2015

| Fig. | Quantity | Part No | Description | Notes |
|------|----------|-------------|---------------------|----------------|
| 1 | 1 | 381004018/0 | Red Deck | |
| 1 | 1 | 381004024/0 | Black Deck | |
| 1 | 1 | 381004613/0 | Red Deck | Side Discharge |
| 1 | 1 | 381004729/0 | Grey Deck | |
| 2 | 1 | 322108301/1 | Front Conveyor Assy | |
| 3 | 6 | 112728699/0 | Screw | |
| 4 | 1 | 322108302/0 | Rear Conveyor Assy | |
| 5 | 6 | 112728699/0 | Screw | |
| 6 | 2 | 322545213/0 | Plate | |
| 7 | 1 | 381005139/0 | Left Bracket | |
| 8 | 6 | 112727801/0 | Screw | |
| 9 | 1 | 381005137/0 | Right Bracket | |
| 10 | 1 | 322060242/0 | Belt Protection | |
| 11 | 1 | 322140239/0 | Mulching Deflector | |
| 12 | 2 | 112728530/0 | Screw | |

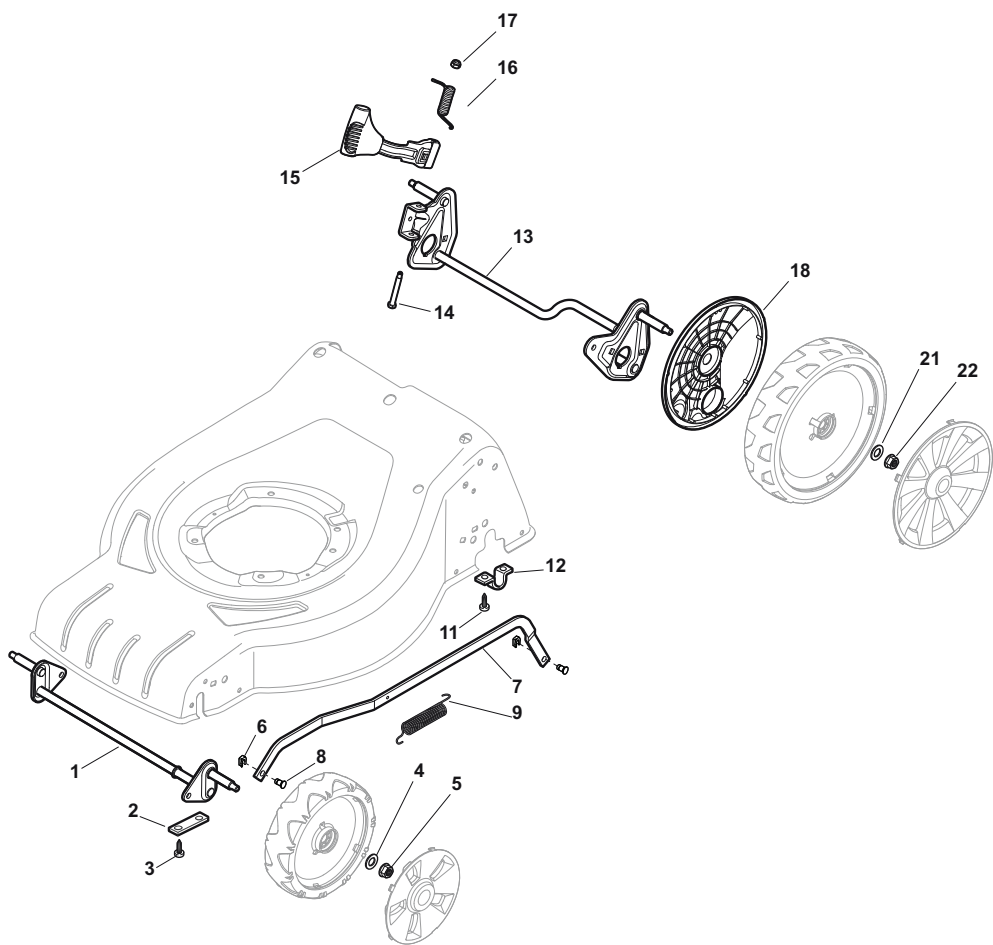


CRL-CSL 484 WS - CRL-CSL 484 WSQ

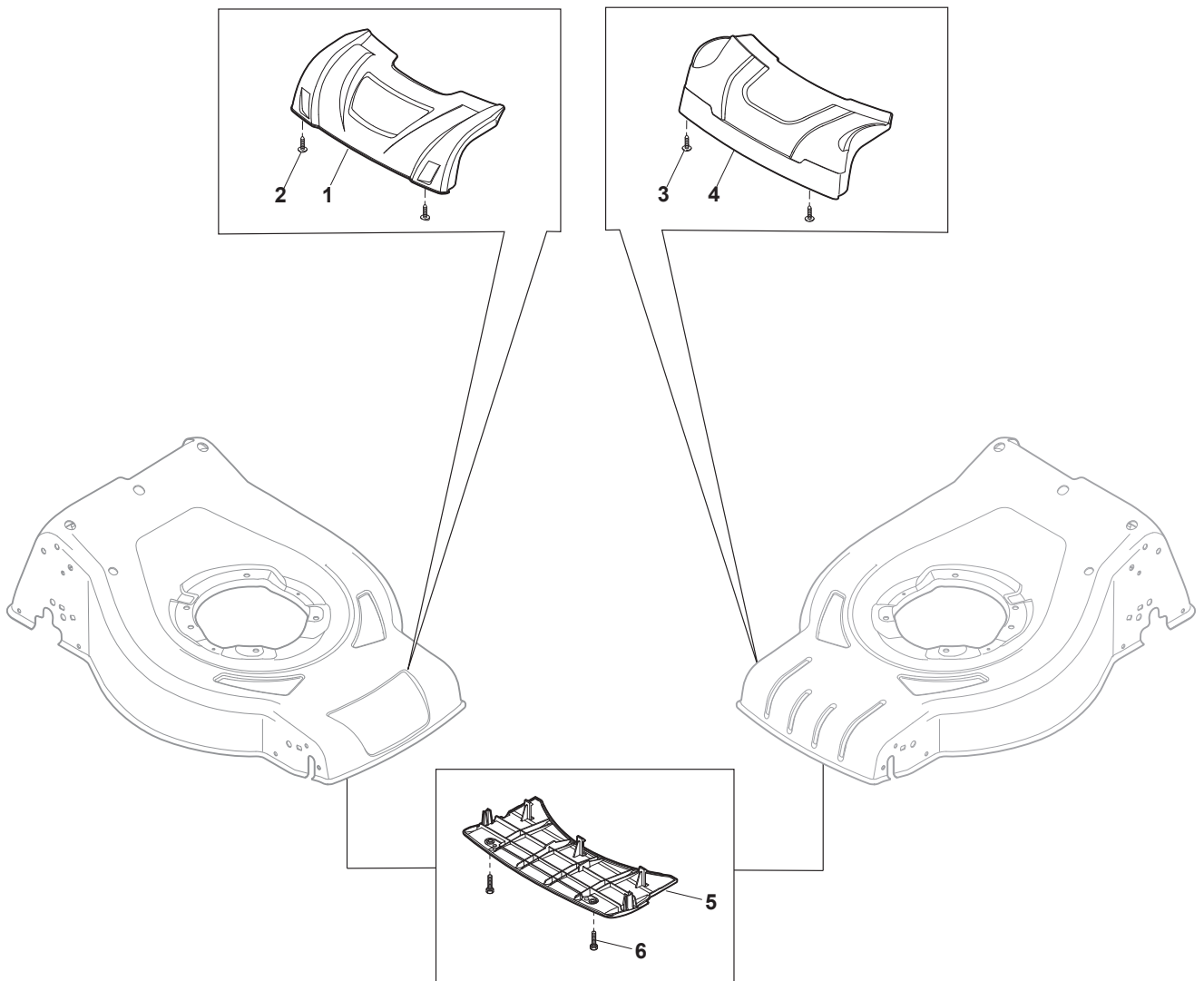
WBH Petrol Steel Deck

Issue 9 - 2015

| Fig. | Quantity | Part No | Description | Notes |
|------|----------|-------------|---------------------|----------------|
| 1 | 1 | 381004020/0 | Red Deck | |
| 1 | 1 | 381004051/0 | Black Deck | |
| 1 | 1 | 381004548/0 | Red Deck | Side Discharge |
| 2 | 1 | 322108301/1 | Front Conveyor Assy | |
| 3 | 6 | 112728699/0 | Screw | |
| 4 | 1 | 322108302/0 | Rear Conveyor Assy | |
| 5 | 6 | 112728699/0 | Screw | |
| 6 | 2 | 322545213/0 | Plate | |
| 7 | 1 | 381005139/0 | Left Bracket | |
| 8 | 6 | 112727801/0 | Screw | |
| 9 | 1 | 381005137/0 | Right Bracket | |
| 10 | 1 | 322060242/0 | Belt Protection | |
| 11 | 1 | 322140239/0 | Mulching Deflector | |
| 12 | 2 | 112728530/0 | Screw | |



| Fig. | Quantity | Part No | Description | Notes |
|------|----------|-------------|---------------------------|---------|
| 1 | 1 | 381302821/0 | Front Wheel Axle | |
| 2 | 2 | 322545142/0 | Plate | |
| 3 | 4 | 112728698/0 | Screw | |
| 4 | 2 | 112521350/0 | Washer | |
| 5 | 2 | 112155000/0 | Nut | |
| 6 | 2 | 112436051/0 | Plate | |
| 7 | 1 | 322869673/0 | Rod, Height Adjustment | (Honda) |
| 7 | 1 | 322869683/0 | Rod, Height Adjustment | |
| 8 | 2 | 122519820/0 | Pin | |
| 9 | 1 | 122446193/0 | Spring | |
| 11 | 4 | 112728698/0 | Screw | |
| 12 | 2 | 322545152/0 | Plate | |
| 13 | 1 | 381302817/0 | Rear Wheel Axle | |
| 14 | 1 | 122534131/0 | Pin | |
| 15 | 1 | 381003357/0 | Wheels Rear Adj. Lever | |
| 16 | 1 | 122446192/0 | Spring | |
| 17 | 1 | 112154510/0 | Nut | |
| 18 | 2 | 322600205/0 | Internal Wheel Protection | |
| 21 | 2 | 112521350/0 | Washer | |
| 22 | 2 | 112155000/0 | Nut | |

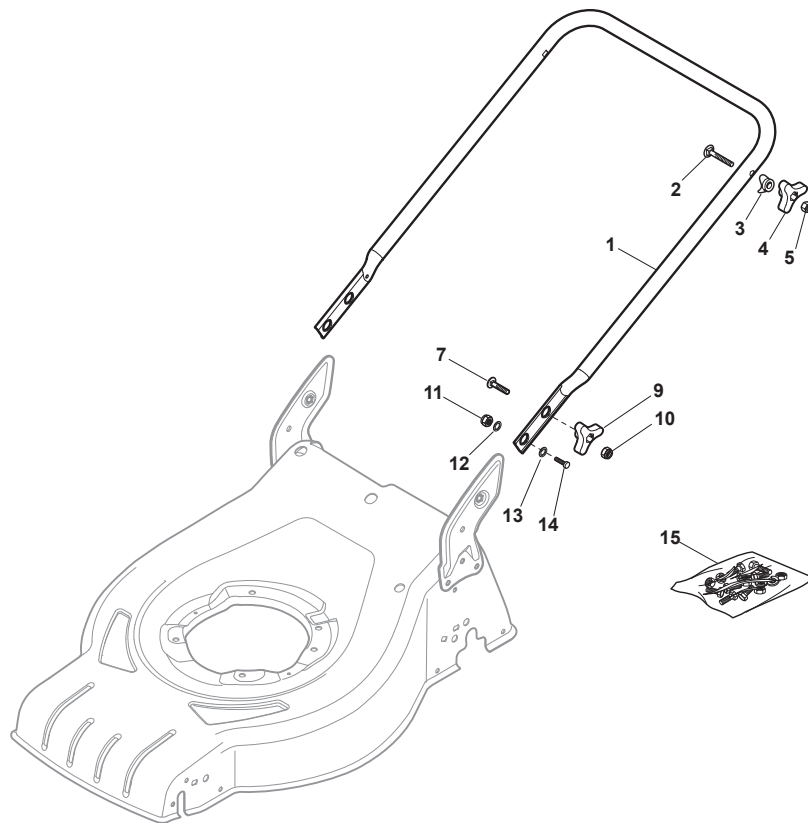


CRL-CSL 484 WS - CRL-CSL 484 WSQ

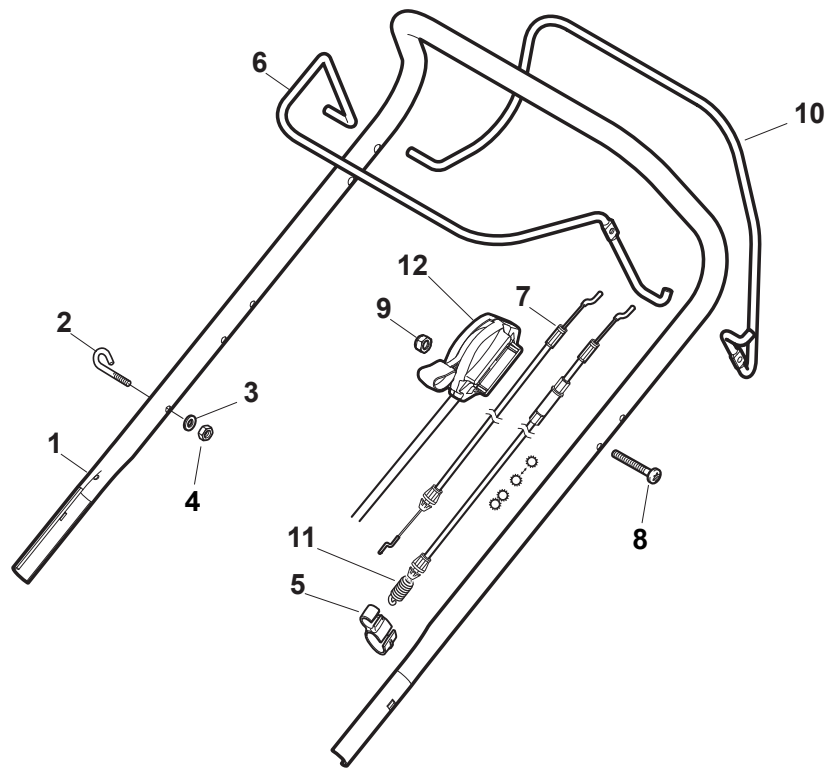
WBH Petrol Steel Mask

Issue 9 - 2015

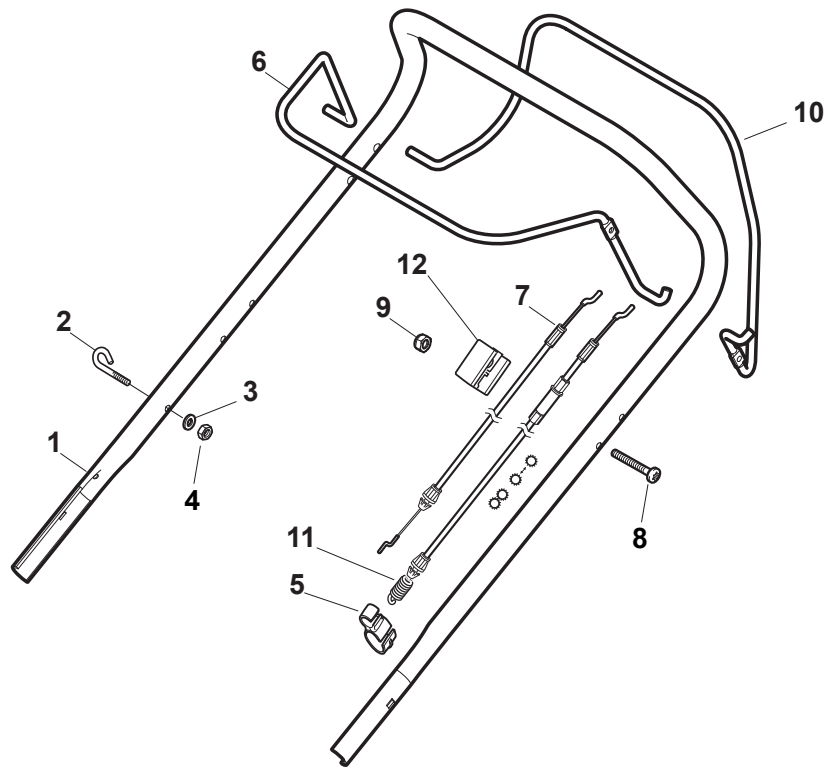
| Fig. | Quantity | Part No | Description | Notes |
|------|----------|-------------|-------------|-------|
| 1 | 1 | 322226168/0 | Mask, Black | |
| 2 | 2 | 112728698/0 | Screw | |
| 3 | 2 | 112728698/0 | Screw | |
| 4 | 1 | 322226170/0 | Mask, Black | |
| 5 | 1 | 322500106/0 | Front Combi | |
| 6 | 2 | 112728698/0 | Screw | |



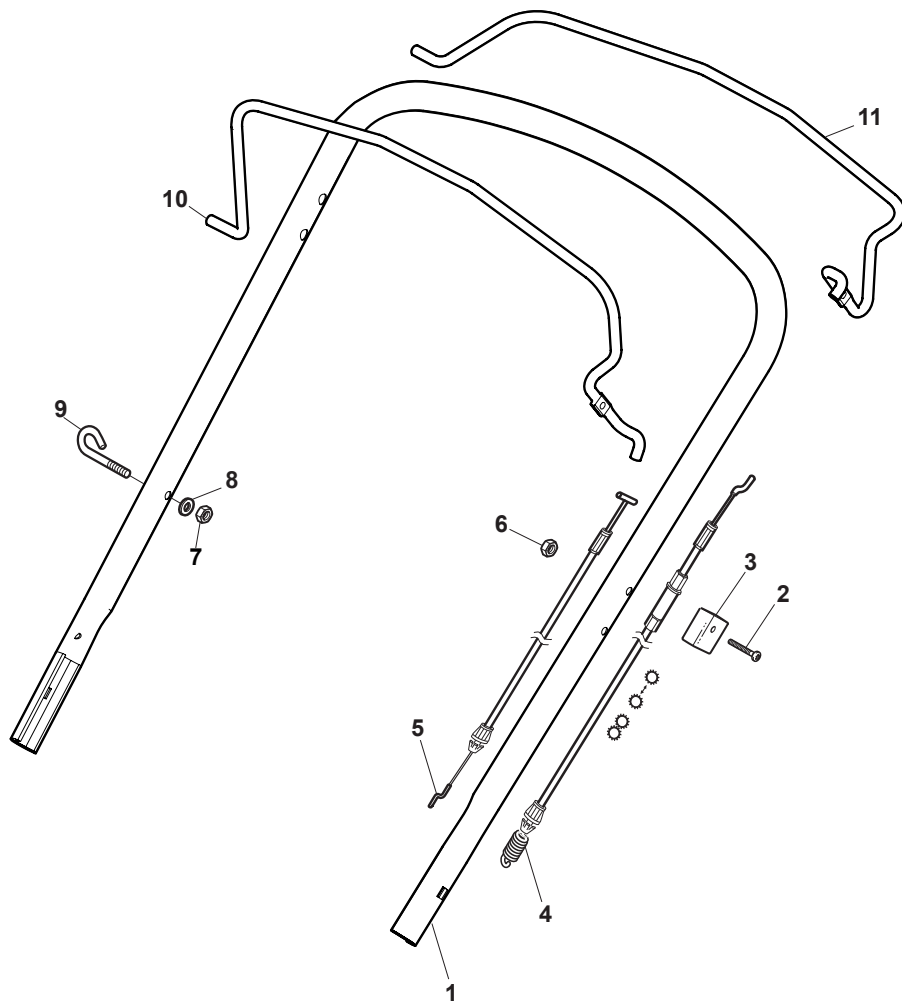
| Fig. | Quantity | Part No | Description | Notes |
|------|----------|-------------|---------------------------|--------|
| 1 | 1 | 381006737/0 | Handle Lower Part | Black |
| 1 | 1 | 381007537/0 | Handle, Lower Part Yellow | Yellow |
| 2 | 2 | 112819110/0 | Screw | |
| 3 | 2 | 122671651/0 | Washer | |
| 4 | 2 | 122399900/0 | Knob | Black |
| 4 | 2 | 322399840/0 | Yellow Knob | Yellow |
| 4 | 2 | 322399846/0 | Red Knob | Red |
| 5 | 2 | 112293200/0 | Nut | |
| 7 | 2 | 112818900/0 | Screw | |
| 9 | 2 | 122399900/0 | Knob | Black |
| 9 | 2 | 322399840/0 | Yellow Knob | Yellow |
| 9 | 2 | 322399846/0 | Red Knob | Red |
| 10 | 2 | 112293200/0 | Nut | |
| 11 | 2 | 112155000/0 | Nut | |
| 12 | 2 | 112521350/0 | Washer | |
| 13 | 2 | 112369500/0 | Elastic Washer | |
| 14 | 2 | 112760605/0 | Screw | |
| 15 | 1 | 381008691/0 | Outfit, Screws | Black |
| 15 | 1 | 381008692/0 | Outfit, Screws | Yellow |
| 15 | 1 | 381008695/0 | Outfit, Screws | Red |



| Fig. | Quantity | Part No | Description | Notes |
|------|----------|-------------|---|----------------------------------|
| 1 | 1 | 381006739/1 | Handle, Upper Part | Black |
| 1 | 1 | 381006745/1 | Handle, Upper Part with sponge handgrip | Black |
| 1 | 1 | 381006753/0 | Handle, Upper Part Yellow | Yellow |
| 2 | 1 | 122430313/0 | Guide Spring | |
| 3 | 1 | 112521330/0 | Washer | |
| 4 | 1 | 112154510/0 | Nut | |
| 5 | 1 | 118390020/0 | Conduit Clip Caproeurope | |
| 6 | 1 | 181003363/1 | Lever, Engine Brake Black | Black |
| 6 | 1 | 381003365/0 | Lever, Engine Brake Yellow | Yellow |
| 6 | 1 | 381003376/0 | Lever, Engine Brake Red | Red |
| 7 | 1 | 181030054/0 | Cable, Thread Engine Brake | for GGP SV40 / RV40 / V35 Engine |
| 7 | 1 | 181030056/0 | Cable, Thread Engine Brake | for GGP 100cc / GGP /B&S Engine |
| 7 | 1 | 181030069/1 | Cable, Thread Engine Brake | for Honda Engine |
| 8 | 1 | 112727788/0 | Screw | |
| 9 | 1 | 112154510/0 | Nut | |
| 10 | 1 | 181003364/0 | Drive Control Lever | Black |
| 10 | 1 | 381003366/0 | Lever, Driving Yellow | Yellow |
| 10 | 1 | 381003377/0 | Drive Control Lever | Red |
| 11 | 1 | 381030051/0 | Cable Rear Drive | |
| 12 | 1 | 181005504/1 | Throttle Cable | for GGP SV40 / RV40 / V35 Engine |
| 12 | 1 | 181005511/0 | Throttle Cable | for B&S Engine |
| 12 | 1 | 181005517/0 | Throttle Cable | for GGP/HONDA Engine |
| 12 | 1 | 181005526/0 | Throttle Cable | for B&S 850 Series |
| 12 | 1 | 181005532/0 | Throttle Cable | for GGP RS-RSC-RSCT Engines |
| 12 | 1 | 181005533/0 | Throttle Cable | for B&S E Engine |



| Fig. | Quantity | Part No | Description | Notes |
|------|----------|-------------|---|--------------------------|
| 1 | 1 | 381006739/1 | Handle, Upper Part | Black |
| 1 | 1 | 381006745/1 | Handle, Upper Part with sponge handgrip | Black |
| 1 | 1 | 381006753/0 | Handle, Upper Part Yellow | Yellow |
| 2 | 1 | 122430313/0 | Guide Spring | |
| 3 | 1 | 112521330/0 | Washer | |
| 4 | 1 | 112154510/0 | Nut | |
| 5 | 1 | 118390020/0 | Conduit Clip Caproeurope | |
| 6 | 1 | 181003363/1 | Lever, Engine Brake Black | Black |
| 6 | 1 | 381003365/0 | Lever, Engine Brake Yellow | Yellow |
| 6 | 1 | 381003376/0 | Lever, Engine Brake Red | Red |
| 7 | 1 | 181030054/0 | Cable, Thread Engine Brake | for SV40/RV40/V35 Engine |
| 7 | 1 | 181030056/0 | Cable, Thread Engine Brake | for GGP Engine |
| 7 | 1 | 181030069/1 | Cable, Thread Engine Brake | for Honda Engine |
| 8 | 1 | 112727783/0 | Screw | |
| 9 | 1 | 112154510/0 | Nut | |
| 10 | 1 | 181003364/0 | Drive Control Lever | Black |
| 10 | 1 | 381003366/0 | Lever, Driving Yellow | Yellow |
| 10 | 1 | 381003377/0 | Drive Control Lever | Red |
| 11 | 1 | 381030051/0 | Cable Rear Drive | |
| 12 | 1 | 322551640/0 | Plate | |

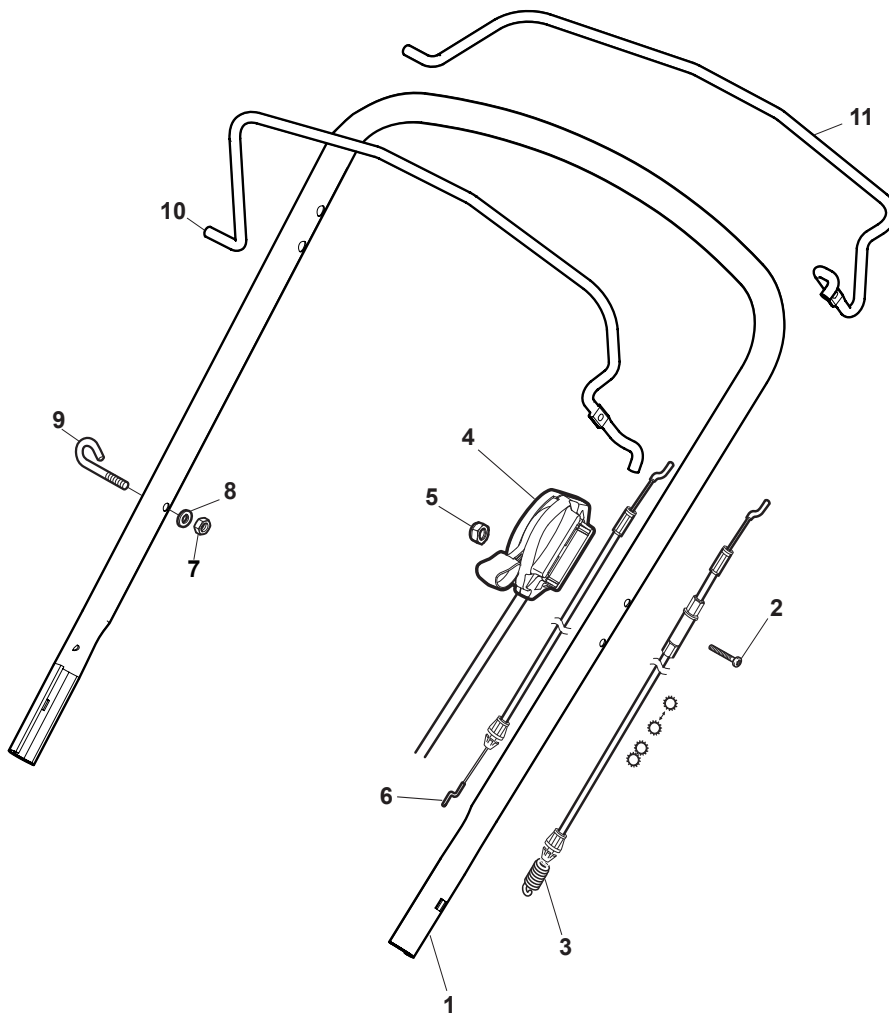


CRL-CSL 484 WS - CRL-CSL 484 WSQ

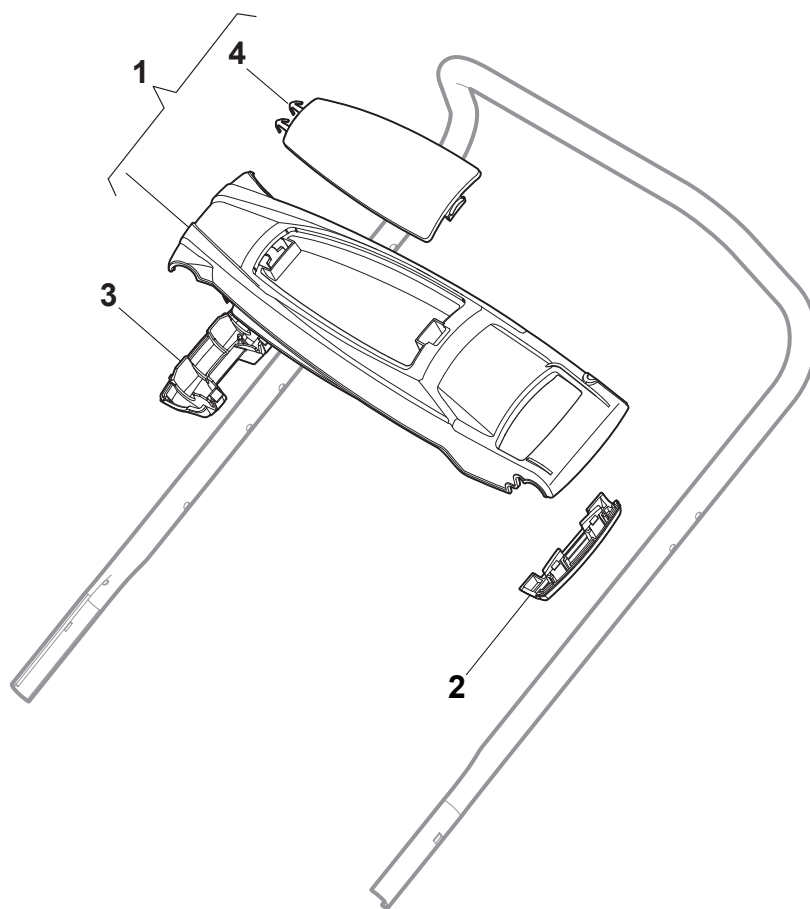
WBH Petrol Steel Handle, Upper Part

Issue 9 - 2015

| Fig. | Quantity | Part No | Description | Notes |
|------|----------|-------------|----------------------------|---------------------------|
| 1 | 1 | 381006740/0 | Handle, Upper Part | |
| 2 | 1 | 112727783/0 | Screw | |
| 3 | 1 | 322551640/0 | Plate | |
| 4 | 1 | 381030085/0 | Cable Rear Drive | |
| 5 | 1 | 181030053/0 | Cable, Thread Engine Brake | SV40 / RV 40 / V35 Engine |
| 5 | 1 | 181030084/0 | Cable, Thread Engine Brake | B&S / GGP / Honda Engine |
| 6 | 1 | 112154510/0 | Nut | |
| 7 | 1 | 112154510/0 | Nut | |
| 8 | 1 | 112521330/0 | Washer | |
| 9 | 1 | 122430313/0 | Guide Spring | |
| 10 | 1 | 181003369/0 | Lever, Engine Brake | |
| 11 | 1 | 181003371/0 | Driving Lever | |



| Fig. | Quantity | Part No | Description | Notes |
|------|----------|-------------|----------------------------|------------------------------|
| 1 | 1 | 381006740/0 | Handle, Upper Part | |
| 2 | 1 | 112727788/0 | Screw | |
| 3 | 1 | 381030085/0 | Cable Rear Drive | |
| 4 | 1 | 181005522/0 | Throttle Cable | for B&S Engine |
| 4 | 1 | 181005534/0 | Throttle Cable | for GGP RS-RSC-RSCT Engines |
| 4 | 1 | 181005535/0 | Throttle Cable | for Honda / GGP Engine |
| 4 | 1 | 181005536/0 | Throttle Cable | for B&S E Series |
| 4 | 1 | 81005521/0 | Throttle Cable | for SV40/RV40/V35 Engine |
| 5 | 1 | 112154510/0 | Nut | |
| 6 | 1 | 181030053/0 | Cable, Thread Engine Brake | for SV40/RV40/V35 Engine |
| 6 | 1 | 181030084/0 | Cable, Thread Engine Brake | for B&S / GGP / Honda Engine |
| 7 | 1 | 112154510/0 | Nut | |
| 8 | 1 | 112521330/0 | Washer | |
| 9 | 1 | 122430313/0 | Guide Spring | |
| 10 | 1 | 181003369/0 | Lever, Engine Brake | |
| 11 | 1 | 181003371/0 | Driving Lever | |

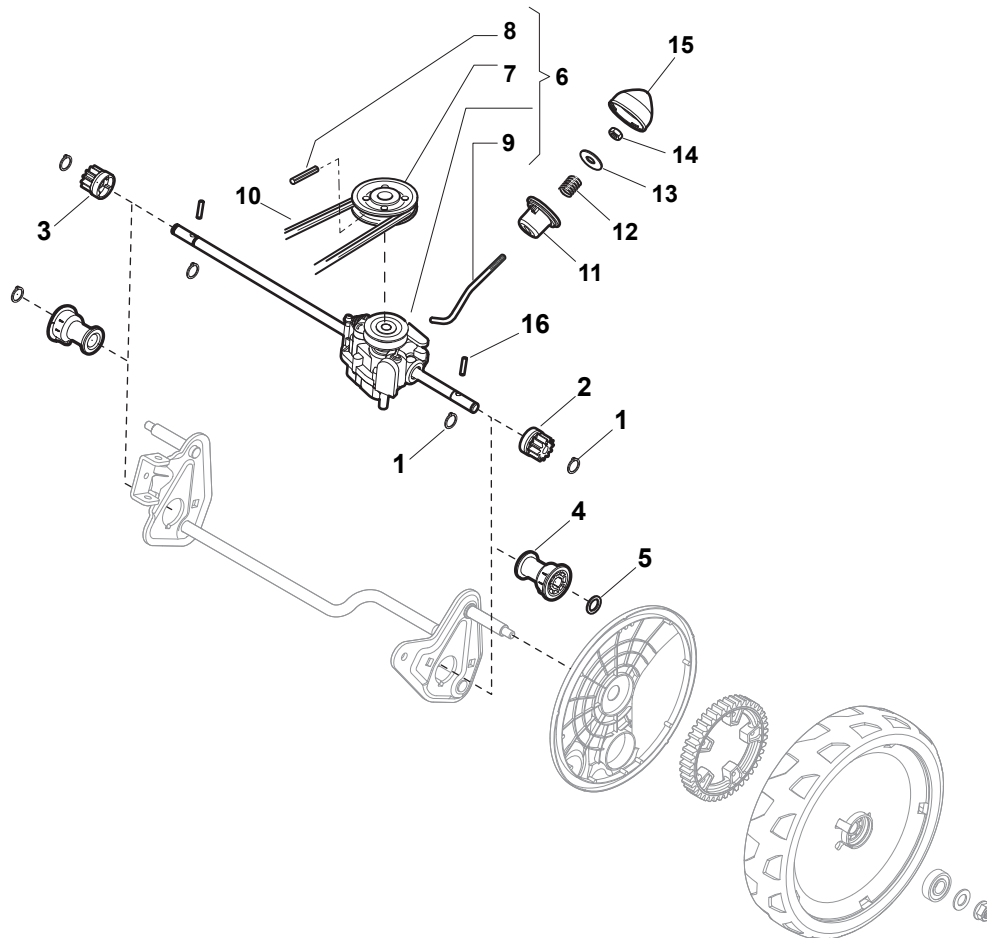


CRL-CSL 484 WS - CRL-CSL 484 WSQ

WBH Petrol Steel Controls

Issue 9 - 2015

| Fig. | Quantity | Part No | Description | Notes |
|------|----------|-------------|-----------------|--------|
| 1 | 1 | 381124000/0 | Dashboard | Red |
| 1 | 1 | 381124001/0 | Dashboard | Yellow |
| 2 | 1 | 322546055/0 | Plate | Red |
| 2 | 1 | 322546057/0 | Plate | Yellow |
| 3 | 1 | 322546054/0 | Plate | Red |
| 3 | 1 | 322546056/0 | Plate | Yellow |
| 4 | 1 | 322120191/0 | Dashboard Cover | |



CRL-CSL 484 WS - CRL-CSL 484 WSQ

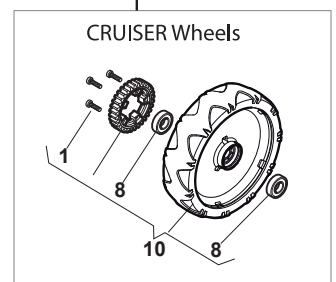
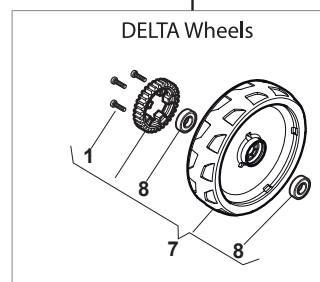
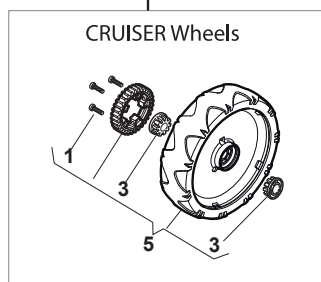
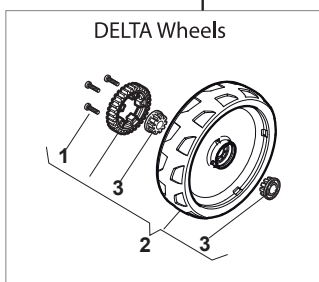
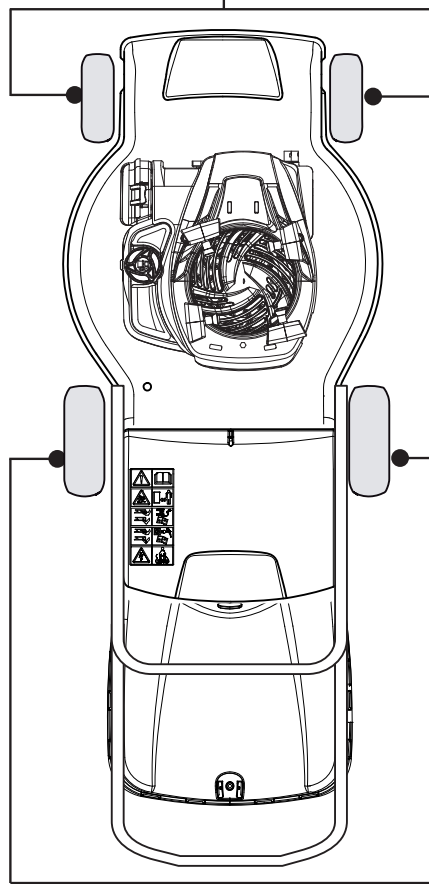
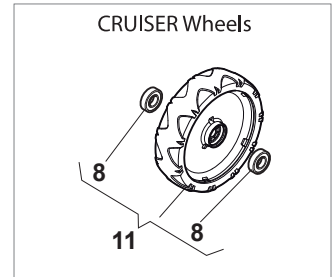
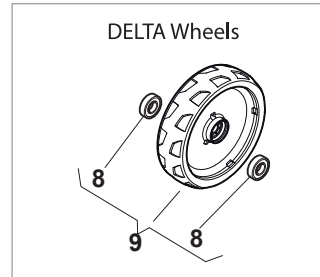
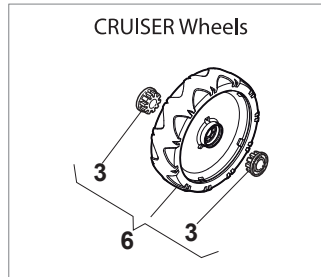
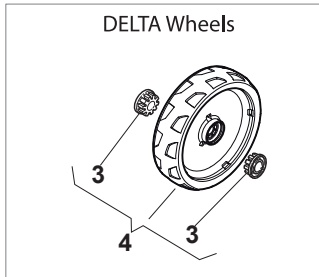
WBH Petrol Steel Transmission

Issue 9 - 2015

| Fig. | Quantity | Part No | Description | Notes |
|------|----------|-------------|------------------|-------|
| 1 | 4 | 112608600/0 | Seeger | |
| 2 | 1 | 122570120/1 | Pinion Left | |
| 3 | 1 | 122570110/1 | Pinion Right | |
| 4 | 2 | 322042066/0 | Bushing | |
| 5 | 2 | 112521371/0 | Washer | |
| 6 | 1 | 181003092/0 | Gear Box | |
| 7 | 1 | 122601904/0 | Pulley | |
| 8 | 1 | 112645700/0 | Elastic Pin | |
| 9 | 1 | 122033283/0 | Adjustment Rod | |
| 10 | 1 | 135063800/0 | Trapezoidal Belt | |
| 11 | 1 | 122041957/1 | Bushing | |
| 12 | 1 | 122450063/0 | Spring | |
| 13 | 1 | 322680009/0 | Washer | |
| 14 | 1 | 112154510/0 | Nut | |
| 15 | 1 | 122110230/0 | Hub Cover | |
| 16 | 2 | 122753000/0 | Pin | |

Bushing - Ø180

Ball Bearing - Ø180



Bushing - Ø240

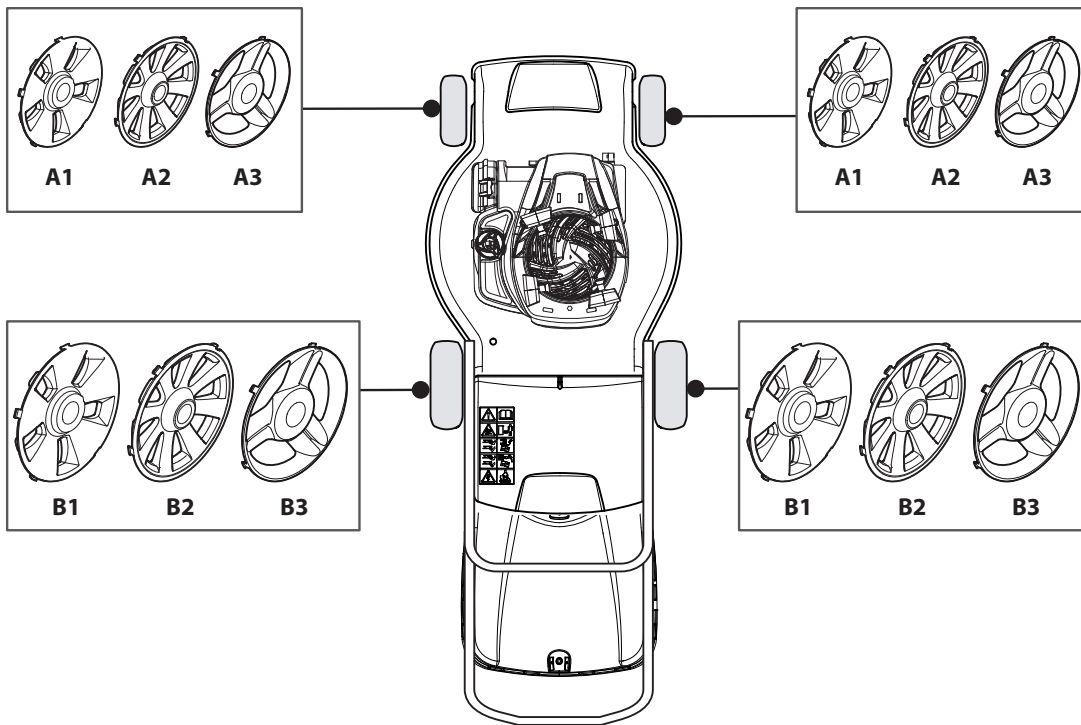
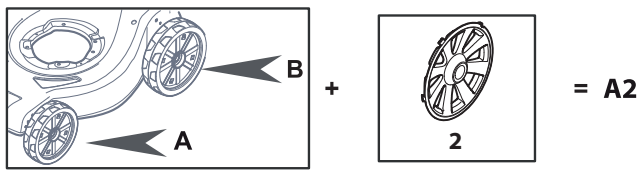
Ball Bearing - Ø240

CRL-CSL 484 WS - CRL-CSL 484 WSQ

WBH Petrol Steel Wheels and Hub Caps

Issue 9 - 2015

| Fig. | Quantity | Part No | Description | Notes |
|------|----------|-------------|-------------|-------|
| 1 | 6 | 112728706/0 | Screw | |
| 2 | 2 | 381007462/1 | Wheel | |
| 3 | 8 | 322042064/0 | Bushing | |
| 4 | 2 | 381007442/1 | Wheel | |
| 5 | 2 | 381007466/1 | Wheel | |
| 6 | 2 | 381007445/1 | Wheel | |
| 7 | 2 | 381007463/1 | Wheel | |
| 8 | 8 | 119216035/0 | Bearing | |
| 9 | 2 | 381007448/1 | Wheel | |
| 10 | 2 | 381007467/1 | Wheel | |
| 11 | 2 | 381007455/1 | Wheel | |

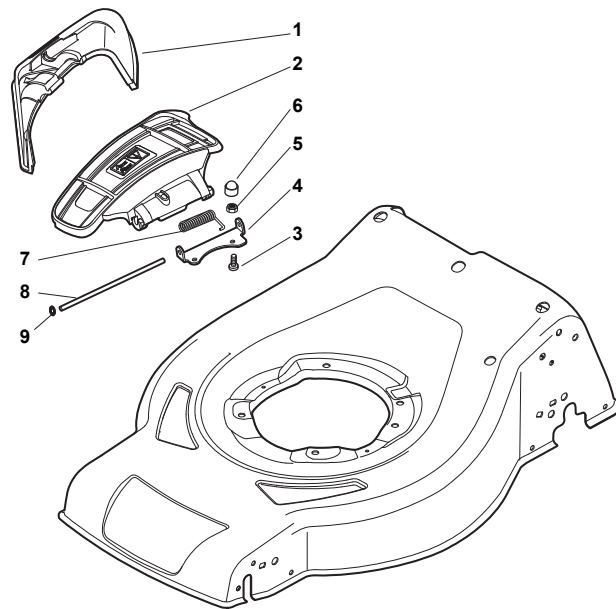


CRL-CSL 484 WS - CRL-CSL 484 WSQ

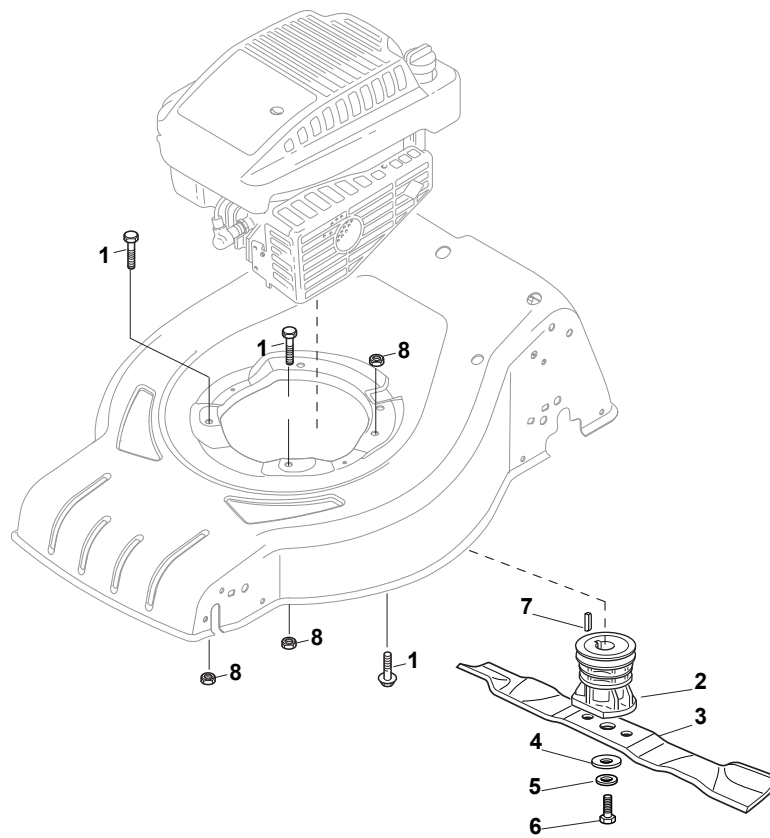
WBH Petrol Steel Wheelcaps

Issue 9 - 2015

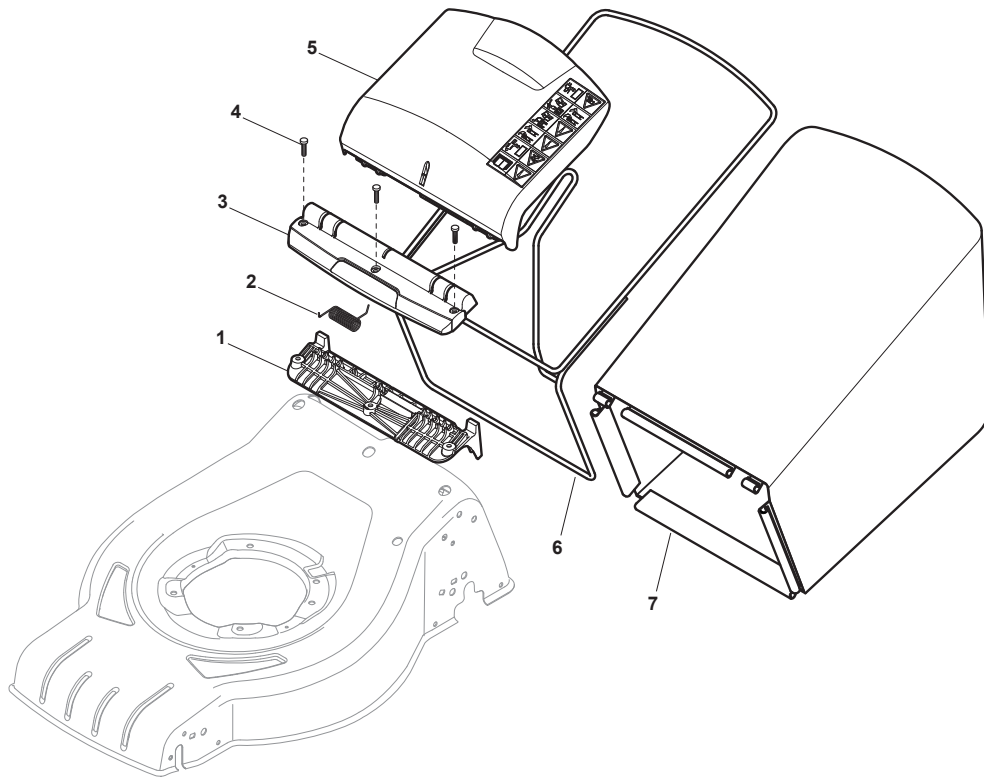
| Fig. | Quantity | Part No | Description | Notes |
|------|----------|-------------|----------------|-------|
| A1 | 2 | 322110636/0 | Hub Cap Grey | |
| B1 | 2 | 322110637/0 | Hub Cap Grey | |
| A2 | 2 | 322110638/0 | Hub Cap Grey | |
| A2 | 2 | 322110647/0 | Hub Cap Yellow | |
| B2 | 2 | 322110648/0 | Hub Cap Yellow | |
| B2 | 2 | 322110639/0 | Hub Cap Grey | |
| A3 | 2 | 322110687/0 | Hub Cap Grey | |
| B3 | 2 | 322110689/0 | Hub Cap Grey | |



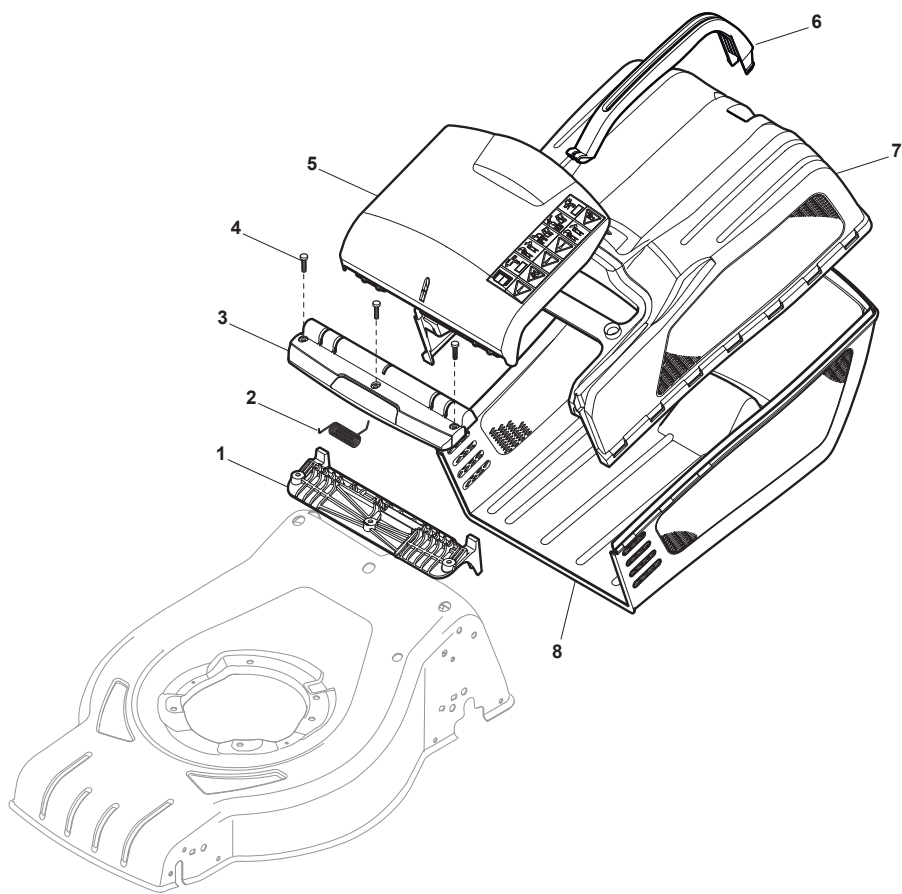
| Fig. | Quantity | Part No | Description | Notes |
|------|----------|-------------|--------------------|-------|
| 1 | 1 | 322108309/1 | Rear Conveyor Assy | Black |
| 2 | 1 | 322600314/0 | Ejection Guard | |
| 8 | 1 | 122517869/1 | Pin | |
| 3 | 2 | 112727803/0 | Screw | |
| 4 | 1 | 322806639/0 | Fulcrum Pin | |
| 5 | 2 | 112154510/0 | Nut | |
| 6 | 2 | 118203853/0 | Screw | |
| 7 | 1 | 122450456/0 | Spring | |
| 9 | 2 | 112604896/0 | Crown Fastener | |



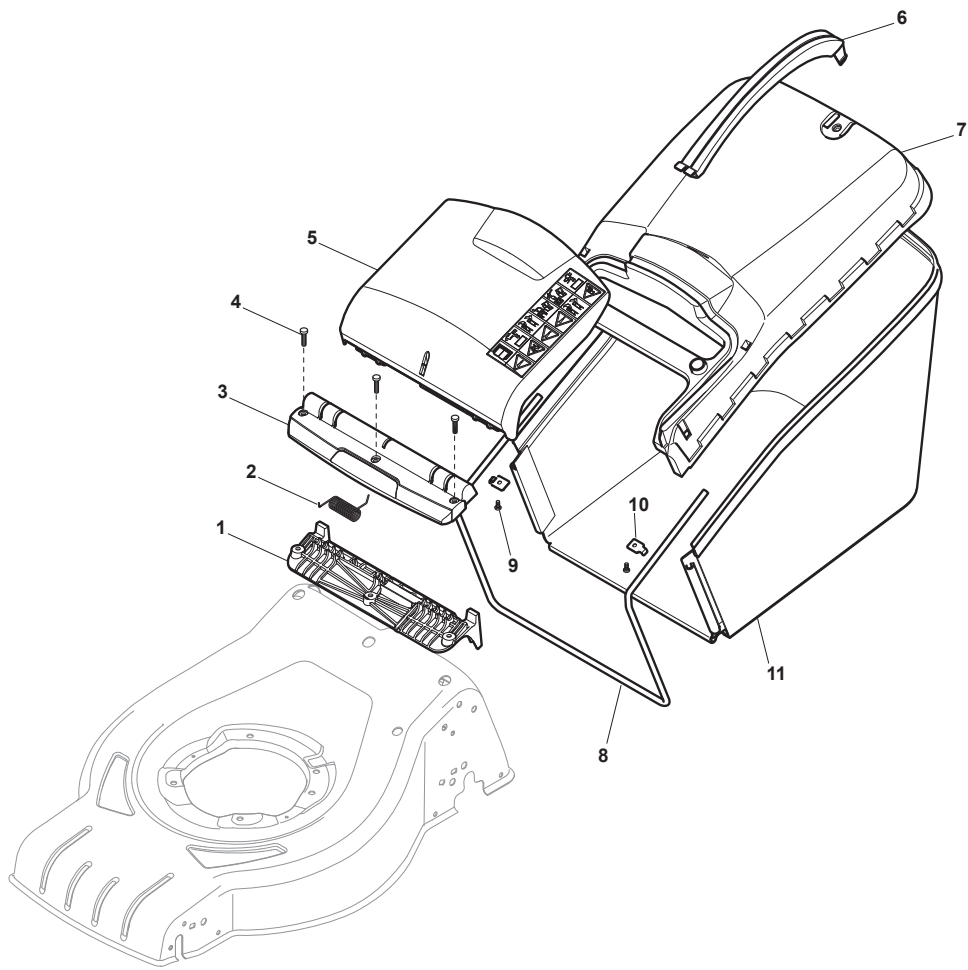
| Fig. | Quantity | Part No | Description | Notes |
|------|----------|-------------|------------------------------------|-----------------------------------|
| 1 | 2 | 112691100/0 | Screw | for B&S Engine |
| 1 | 3 | 112691100/0 | Screw | for B&S E Series Engine |
| 1 | 3 | 112691115/0 | Screw | for HONDA Engine / for GGP Engine |
| 1 | 1 | 112691800/0 | Screw | for B&S Engine |
| 2 | 1 | 122465607/3 | Hub With Pulley, Crankshaft Ø 22.2 | for B&S and GGP Engines |
| 2 | 1 | 122465608/2 | Hub With Pulley, Crankshaft Ø 25 | for HONDA Engines |
| 3 | 1 | 181004346/3 | Blade | |
| 4 | 1 | 122160400/0 | Elastic Disc | |
| 5 | 1 | 112523080/0 | Washer | |
| 6 | 1 | 112735698/0 | Screw | |
| 7 | 1 | 112139100/0 | Feather, Crankshaft Ø 22,2 | for B&S and GGP Engines |
| 7 | 1 | 112139150/0 | Feather, Crankshaft Ø 25 | for HONDA Engines |
| 8 | 3 | 112154210/0 | Nut | |



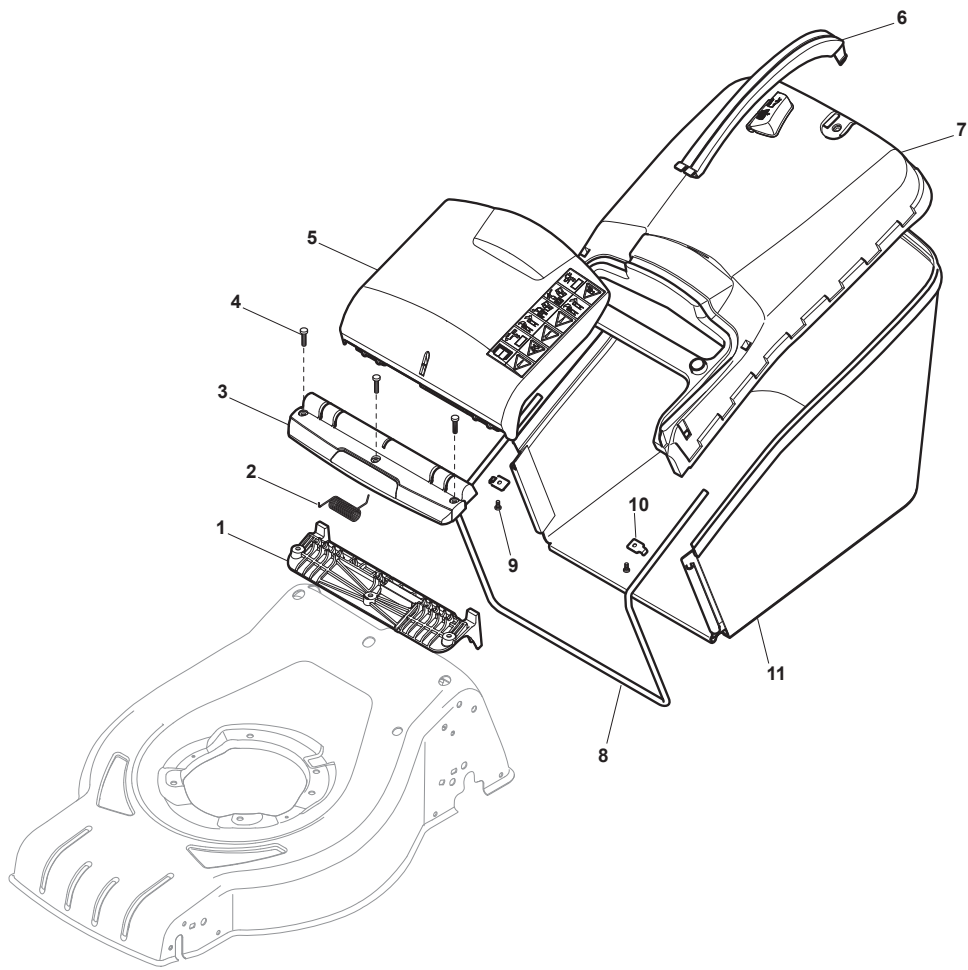
| Fig. | Quantity | Part No | Description | Notes |
|------|----------|-------------|--------------------------------|--------|
| 1 | 1 | 322785331/0 | Black Stone Guard Support | |
| 2 | 1 | 122450464/0 | Spring | |
| 3 | 1 | 322109554/0 | Stone Guard Supp. Cover Black | Black |
| 3 | 1 | 322109557/0 | Stone Guard Supp. Cover Grey | Grey |
| 3 | 1 | 322109556/0 | Stone Guard Supp. Cover Yellow | Yellow |
| 4 | 3 | 112728699/0 | Screw | |
| 5 | 1 | 322600206/1 | Stone Guard, Black | Black |
| 5 | 1 | 322600216/1 | Stone Guard, Grey | Grey |
| 5 | 1 | 322600214/1 | Stone Guard, Yellow | Yellow |
| 6 | 1 | 181006409/0 | Textile Grasscatcher Frame | |
| 7 | 1 | 181002319/0 | Textile Grasscatcher Black | |



| Fig. | Quantity | Part No | Description | Notes |
|------|----------|-------------|--------------------------------|-------------|
| 1 | 1 | 322785331/0 | Black Stone Guard Support | |
| 2 | 1 | 122450464/0 | Spring | |
| 3 | 1 | 322109554/0 | Stone Guard Supp. Cover Black | Black |
| 3 | 1 | 322109557/0 | Stone Guard Supp. Cover Grey | Grey |
| 3 | 1 | 322109556/0 | Stone Guard Supp. Cover Yellow | Yellow |
| 4 | 3 | 112728699/0 | Screw | |
| 5 | 1 | 322600206/1 | Stone Guard, Black | Black |
| 5 | 1 | 322600216/1 | Stone Guard, Grey | Grey |
| 5 | 1 | 322600214/1 | Stone Guard, Yellow | Yellow |
| 6 | 1 | 322393643/0 | Handle, Black | Black |
| 6 | 1 | 322393645/0 | Grasscatcher Handle | Grey |
| 6 | 1 | 322393716/0 | Handle, Grey | Grey NCSS-N |
| 7 | 1 | 322486260/0 | Grasscatcher Upper Part, Black | Black |
| 7 | 1 | 322486263/0 | Grasscatcher Upper Part Grey | Grey |
| 7 | 1 | 322486387/0 | Grassbox Upper Part, Grey | Grey NCSS-N |
| 8 | 1 | 322486261/0 | Grasscatcher Lower Part, Black | Black |
| 8 | 1 | 322486267/0 | Grasscatcher Lower Part Grey | Grey |
| 8 | 1 | 322486388/0 | Grassbox Lower Part, Grey | Grey NCSS-N |



| Fig. | Quantity | Part No | Description | Notes |
|------|----------|-------------|---------------------------------------|--------|
| 1 | 1 | 322785331/0 | Black Stone Guard Support | |
| 2 | 1 | 122450464/0 | Spring | |
| 3 | 1 | 322109554/0 | Stone Guard Supp. Cover Black | Black |
| 3 | 1 | 322109557/0 | Stone Guard Supp. Cover Grey | Grey |
| 3 | 1 | 322109556/0 | Stone Guard Supp. Cover Yellow | Yellow |
| 4 | 3 | 112728699/0 | Screw | |
| 5 | 1 | 322600206/1 | Stone Guard, Black | Black |
| 5 | 1 | 322600216/1 | Stone Guard, Grey | Grey |
| 5 | 1 | 322600214/1 | Stone Guard, Yellow | Yellow |
| 6 | 1 | 322393644/0 | Handle, Black | Black |
| 6 | 1 | 322393649/0 | Handle, Grey | Grey |
| 6 | 1 | 322393646/0 | Handle, Yellow | Yellow |
| 7 | 7 | 322486262/0 | Grasscatcher Upper Part, Black | Black |
| 7 | 1 | 322486270/0 | Grass Upper Hybrid Grey | Grey |
| 7 | 1 | 322486264/0 | Grass Upper Hybrid Yellow | Yellow |
| 8 | 1 | 122608561/0 | Grasscatcher Lower Stiffening Cruiser | |
| 9 | 2 | 112728692/0 | Screw | |
| 10 | 2 | 322545159/0 | Plate | |
| 11 | 1 | 181002318/0 | Box, Fabric | |



| Fig. | Quantity | Part No | Description | Notes |
|------|----------|--------------|---------------------------------------|-------------|
| 1 | 1 | 322785331/0 | Black Stone Guard Support | |
| 2 | 1 | 122450464/0 | Spring | |
| 3 | 1 | 322109554/0 | Stone Guard Supp. Cover Black | Black |
| 3 | 1 | 322109556/0 | Stone Guard Supp. Cover Yellow | Yellow |
| 4 | 3 | 112728699/0 | Screw | |
| 5 | 1 | 322600206/1 | Stone Guard, Black | Black |
| 5 | 1 | 322600214/1 | Stone Guard, Yellow | Yellow |
| 6 | 1 | 322393644/0 | Handle, Black | Black |
| 6 | 1 | 322393715/0 | Handle, Grey | Grey NCSS-N |
| 6 | 1 | 322393646/0 | Handle, Yellow | Yellow |
| 7 | 1 | 381486018/0 | Grass-Box, Upper Part Black | Black |
| 7 | 1 | 381486016/0A | Grass-Box, Upper Part Yellow | Yellow |
| 8 | 1 | 122608561/0 | Grasscatcher Lower Stiffening Cruiser | |
| 9 | 2 | 112728692/0 | Screw | |
| 10 | 2 | 322545159/0 | Plate | |
| 11 | 1 | 181002318/0 | Box, Fabric | |

| code | pos. | q.ty | page | | | | | | | | | |
|-------------|------|------|-------|-------------|----|---|-------|-------------|----|---|-------|--|
| 81005521/0 | 4 | 1 | p. 19 | 112760605/0 | 14 | 2 | p. 11 | 181030056/0 | 7 | 1 | p. 13 | |
| 112139100/0 | 7 | 1 | p. 31 | 112818900/0 | 7 | 2 | p. 11 | 181030056/0 | 7 | 1 | p. 15 | |
| 112139150/0 | 7 | 1 | p. 31 | 112819110/0 | 2 | 2 | p. 11 | 181030069/1 | 7 | 1 | p. 13 | |
| 112154210/0 | 8 | 3 | p. 31 | 118203853/0 | 6 | 2 | p. 29 | 181030069/1 | 7 | 1 | p. 15 | |
| 112154510/0 | 4 | 1 | p. 13 | 118390020/0 | 5 | 1 | p. 13 | 181030084/0 | 5 | 1 | p. 17 | |
| 112154510/0 | 4 | 1 | p. 15 | 118390020/0 | 5 | 1 | p. 15 | 181030084/0 | 6 | 1 | p. 19 | |
| 112154510/0 | 5 | 1 | p. 19 | 119216035/0 | 8 | 8 | p. 25 | 322042064/0 | 3 | 8 | p. 25 | |
| 112154510/0 | 5 | 2 | p. 29 | 122033283/0 | 9 | 1 | p. 23 | 322042066/0 | 4 | 2 | p. 23 | |
| 112154510/0 | 6 | 1 | p. 17 | 122041957/1 | 11 | 1 | p. 23 | 322060242/0 | 10 | 1 | p. 3 | |
| 112154510/0 | 7 | 1 | p. 17 | 122110230/0 | 15 | 1 | p. 23 | 322060242/0 | 10 | 1 | p. 5 | |
| 112154510/0 | 7 | 1 | p. 19 | 122160400/0 | 4 | 1 | p. 31 | 322108301/1 | 2 | 1 | p. 3 | |
| 112154510/0 | 9 | 1 | p. 13 | 122399900/0 | 4 | 2 | p. 11 | 322108301/1 | 2 | 1 | p. 5 | |
| 112154510/0 | 9 | 1 | p. 15 | 122399900/0 | 9 | 2 | p. 11 | 322108302/0 | 4 | 1 | p. 3 | |
| 112154510/0 | 14 | 1 | p. 23 | 122430313/0 | 2 | 1 | p. 13 | 322108302/0 | 4 | 1 | p. 5 | |
| 112154510/0 | 17 | 1 | p. 7 | 122430313/0 | 2 | 1 | p. 15 | 322108309/1 | 1 | 1 | p. 29 | |
| 112155000/0 | 5 | 2 | p. 7 | 122430313/0 | 9 | 1 | p. 17 | 322109554/0 | 3 | 1 | p. 33 | |
| 112155000/0 | 11 | 2 | p. 11 | 122430313/0 | 9 | 1 | p. 19 | 322109554/0 | 3 | 1 | p. 35 | |
| 112155000/0 | 22 | 2 | p. 7 | 122446192/0 | 16 | 1 | p. 7 | 322109554/0 | 3 | 1 | p. 37 | |
| 112293200/0 | 5 | 2 | p. 11 | 122446193/0 | 9 | 1 | p. 7 | 322109554/0 | 3 | 1 | p. 39 | |
| 112293200/0 | 10 | 2 | p. 11 | 122450063/0 | 12 | 1 | p. 23 | 322109556/0 | 3 | 1 | p. 33 | |
| 112369500/0 | 13 | 2 | p. 11 | 122450456/0 | 7 | 1 | p. 29 | 322109556/0 | 3 | 1 | p. 35 | |
| 112436051/0 | 6 | 2 | p. 7 | 122450464/0 | 2 | 1 | p. 33 | 322109556/0 | 3 | 1 | p. 37 | |
| 112521330/0 | 3 | 1 | p. 13 | 122450464/0 | 2 | 1 | p. 35 | 322109556/0 | 3 | 1 | p. 39 | |
| 112521330/0 | 3 | 1 | p. 15 | 122450464/0 | 2 | 1 | p. 37 | 322109557/0 | 3 | 1 | p. 33 | |
| 112521330/0 | 8 | 1 | p. 17 | 122450464/0 | 2 | 1 | p. 39 | 322109557/0 | 3 | 1 | p. 35 | |
| 112521330/0 | 8 | 1 | p. 19 | 122465607/3 | 2 | 1 | p. 31 | 322109557/0 | 3 | 1 | p. 37 | |
| 112521350/0 | 4 | 2 | p. 7 | 122465608/2 | 2 | 1 | p. 31 | 322110636/0 | A1 | 2 | p. 27 | |
| 112521350/0 | 12 | 2 | p. 11 | 122517869/1 | 8 | 1 | p. 29 | 322110637/0 | B1 | 2 | p. 27 | |
| 112521350/0 | 21 | 2 | p. 7 | 122519820/0 | 8 | 2 | p. 7 | 322110638/0 | A2 | 2 | p. 27 | |
| 112521371/0 | 5 | 2 | p. 23 | 122534131/0 | 14 | 1 | p. 7 | 322110639/0 | B2 | 2 | p. 27 | |
| 112523080/0 | 5 | 1 | p. 31 | 122570110/1 | 3 | 1 | p. 23 | 322110647/0 | A2 | 2 | p. 27 | |
| 112604896/0 | 9 | 2 | p. 29 | 122570120/1 | 2 | 1 | p. 23 | 322110648/0 | B2 | 2 | p. 27 | |
| 112608600/0 | 1 | 4 | p. 23 | 122601904/0 | 7 | 1 | p. 23 | 322110687/0 | A3 | 2 | p. 27 | |
| 112645700/0 | 8 | 1 | p. 23 | 122608561/0 | 8 | 1 | p. 37 | 322110689/0 | B3 | 2 | p. 27 | |
| 112691100/0 | 1 | 2 | p. 31 | 122608561/0 | 8 | 1 | p. 39 | 322120191/0 | 4 | 1 | p. 21 | |
| 112691100/0 | 1 | 3 | p. 31 | 122671651/0 | 3 | 2 | p. 11 | 322140239/0 | 11 | 1 | p. 3 | |
| 112691115/0 | 1 | 3 | p. 31 | 122753000/0 | 16 | 2 | p. 23 | 322140239/0 | 11 | 1 | p. 5 | |
| 112691800/0 | 1 | 1 | p. 31 | 135063800/0 | 10 | 1 | p. 23 | 322226168/0 | 1 | 1 | p. 9 | |
| 112727783/0 | 2 | 1 | p. 17 | 181002318/0 | 11 | 1 | p. 37 | 322226170/0 | 4 | 1 | p. 9 | |
| 112727783/0 | 8 | 1 | p. 15 | 181002318/0 | 11 | 1 | p. 39 | 322393643/0 | 6 | 1 | p. 35 | |
| 112727788/0 | 2 | 1 | p. 19 | 181002319/0 | 7 | 1 | p. 33 | 322393644/0 | 6 | 1 | p. 37 | |
| 112727788/0 | 8 | 1 | p. 13 | 181003092/0 | 6 | 1 | p. 23 | 322393644/0 | 6 | 1 | p. 39 | |
| 112727801/0 | 8 | 6 | p. 3 | 181003363/1 | 6 | 1 | p. 13 | 322393645/0 | 6 | 1 | p. 35 | |
| 112727801/0 | 8 | 6 | p. 5 | 181003363/1 | 6 | 1 | p. 15 | 322393646/0 | 6 | 1 | p. 37 | |
| 112727803/0 | 3 | 2 | p. 29 | 181003364/0 | 10 | 1 | p. 13 | 322393646/0 | 6 | 1 | p. 39 | |
| 112728530/0 | 12 | 2 | p. 3 | 181003364/0 | 10 | 1 | p. 15 | 322393649/0 | 6 | 1 | p. 37 | |
| 112728530/0 | 12 | 2 | p. 5 | 181003369/0 | 10 | 1 | p. 17 | 322393715/0 | 6 | 1 | p. 39 | |
| 112728692/0 | 9 | 2 | p. 37 | 181003369/0 | 10 | 1 | p. 19 | 322393716/0 | 6 | 1 | p. 35 | |
| 112728692/0 | 9 | 2 | p. 39 | 181003371/0 | 11 | 1 | p. 17 | 322399840/0 | 4 | 2 | p. 11 | |
| 112728698/0 | 2 | 2 | p. 9 | 181003371/0 | 11 | 1 | p. 19 | 322399840/0 | 9 | 2 | p. 11 | |
| 112728698/0 | 3 | 2 | p. 9 | 181004346/3 | 3 | 1 | p. 31 | 322399846/0 | 4 | 2 | p. 11 | |
| 112728698/0 | 3 | 4 | p. 7 | 181005504/1 | 12 | 1 | p. 13 | 322399846/0 | 9 | 2 | p. 11 | |
| 112728698/0 | 6 | 2 | p. 9 | 181005511/0 | 12 | 1 | p. 13 | 322486260/0 | 7 | 1 | p. 35 | |
| 112728698/0 | 11 | 4 | p. 7 | 181005517/0 | 12 | 1 | p. 13 | 322486261/0 | 8 | 1 | p. 35 | |
| 112728699/0 | 3 | 6 | p. 3 | 181005522/0 | 4 | 1 | p. 19 | 322486262/0 | 7 | 7 | p. 37 | |
| 112728699/0 | 3 | 6 | p. 5 | 181005526/0 | 12 | 1 | p. 13 | 322486263/0 | 7 | 1 | p. 35 | |
| 112728699/0 | 4 | 3 | p. 33 | 181005532/0 | 12 | 1 | p. 13 | 322486264/0 | 7 | 1 | p. 37 | |
| 112728699/0 | 4 | 3 | p. 35 | 181005533/0 | 12 | 1 | p. 13 | 322486267/0 | 8 | 1 | p. 35 | |
| 112728699/0 | 4 | 3 | p. 37 | 181005534/0 | 4 | 1 | p. 19 | 322486270/0 | 7 | 1 | p. 37 | |
| 112728699/0 | 4 | 3 | p. 39 | 181005535/0 | 4 | 1 | p. 19 | 322486387/0 | 7 | 1 | p. 35 | |
| 112728699/0 | 5 | 6 | p. 3 | 181005536/0 | 4 | 1 | p. 19 | 322486388/0 | 8 | 1 | p. 35 | |
| 112728699/0 | 5 | 6 | p. 5 | 181006409/0 | 6 | 1 | p. 33 | 322500106/0 | 5 | 1 | p. 9 | |
| 112728706/0 | 1 | 6 | p. 25 | 181030053/0 | 5 | 1 | p. 17 | 322545142/0 | 2 | 2 | p. 7 | |
| 112735698/0 | 6 | 1 | p. 31 | 181030053/0 | 6 | 1 | p. 19 | 322545152/0 | 12 | 2 | p. 7 | |
| | | | | 181030054/0 | 7 | 1 | p. 13 | 322545159/0 | 10 | 2 | p. 37 | |
| | | | | 181030054/0 | 7 | 1 | p. 15 | 322545159/0 | 10 | 2 | p. 39 | |

| code | pos. | q.ty | page | | | | |
|-------------|------|------|-------|--------------|----|---|-------|
| 322545213/0 | 6 | 2 | p. 3 | 381007466/1 | 5 | 2 | p. 25 |
| 322545213/0 | 6 | 2 | p. 5 | 381007467/1 | 10 | 2 | p. 25 |
| 322546054/0 | 3 | 1 | p. 21 | 381007537/0 | 1 | 1 | p. 11 |
| 322546055/0 | 2 | 1 | p. 21 | 381008691/0 | 15 | 1 | p. 11 |
| 322546056/0 | 3 | 1 | p. 21 | 381008692/0 | 15 | 1 | p. 11 |
| 322546057/0 | 2 | 1 | p. 21 | 381008695/0 | 15 | 1 | p. 11 |
| 322551640/0 | 3 | 1 | p. 17 | 381030051/0 | 11 | 1 | p. 13 |
| 322551640/0 | 12 | 1 | p. 15 | 381030051/0 | 11 | 1 | p. 15 |
| 322600205/0 | 18 | 2 | p. 7 | 381030085/0 | 3 | 1 | p. 19 |
| 322600206/1 | 5 | 1 | p. 33 | 381030085/0 | 4 | 1 | p. 17 |
| 322600206/1 | 5 | 1 | p. 35 | 381124000/0 | 1 | 1 | p. 21 |
| 322600206/1 | 5 | 1 | p. 37 | 381124001/0 | 1 | 1 | p. 21 |
| 322600206/1 | 5 | 1 | p. 39 | 381302817/0 | 13 | 1 | p. 7 |
| 322600214/1 | 5 | 1 | p. 33 | 381302821/0 | 1 | 1 | p. 7 |
| 322600214/1 | 5 | 1 | p. 35 | 381486016/OA | 7 | 1 | p. 39 |
| 322600214/1 | 5 | 1 | p. 37 | 381486018/0 | 7 | 1 | p. 39 |
| 322600214/1 | 5 | 1 | p. 39 | | | | |
| 322600216/1 | 5 | 1 | p. 33 | | | | |
| 322600216/1 | 5 | 1 | p. 35 | | | | |
| 322600216/1 | 5 | 1 | p. 37 | | | | |
| 322600314/0 | 2 | 1 | p. 29 | | | | |
| 322680009/0 | 13 | 1 | p. 23 | | | | |
| 322785331/0 | 1 | 1 | p. 33 | | | | |
| 322785331/0 | 1 | 1 | p. 35 | | | | |
| 322785331/0 | 1 | 1 | p. 37 | | | | |
| 322785331/0 | 1 | 1 | p. 39 | | | | |
| 322806639/0 | 4 | 1 | p. 29 | | | | |
| 322869673/0 | 7 | 1 | p. 7 | | | | |
| 322869683/0 | 7 | 1 | p. 7 | | | | |
| 381003357/0 | 15 | 1 | p. 7 | | | | |
| 381003365/0 | 6 | 1 | p. 13 | | | | |
| 381003365/0 | 6 | 1 | p. 15 | | | | |
| 381003366/0 | 10 | 1 | p. 13 | | | | |
| 381003366/0 | 10 | 1 | p. 15 | | | | |
| 381003376/0 | 6 | 1 | p. 13 | | | | |
| 381003376/0 | 6 | 1 | p. 15 | | | | |
| 381003377/0 | 10 | 1 | p. 13 | | | | |
| 381003377/0 | 10 | 1 | p. 15 | | | | |
| 381004018/0 | 1 | 1 | p. 3 | | | | |
| 381004020/0 | 1 | 1 | p. 5 | | | | |
| 381004024/0 | 1 | 1 | p. 3 | | | | |
| 381004051/0 | 1 | 1 | p. 5 | | | | |
| 381004548/0 | 1 | 1 | p. 5 | | | | |
| 381004613/0 | 1 | 1 | p. 3 | | | | |
| 381004729/0 | 1 | 1 | p. 3 | | | | |
| 381005137/0 | 9 | 1 | p. 3 | | | | |
| 381005137/0 | 9 | 1 | p. 5 | | | | |
| 381005139/0 | 7 | 1 | p. 3 | | | | |
| 381005139/0 | 7 | 1 | p. 5 | | | | |
| 381006737/0 | 1 | 1 | p. 11 | | | | |
| 381006739/1 | 1 | 1 | p. 13 | | | | |
| 381006739/1 | 1 | 1 | p. 15 | | | | |
| 381006740/0 | 1 | 1 | p. 17 | | | | |
| 381006740/0 | 1 | 1 | p. 19 | | | | |
| 381006745/1 | 1 | 1 | p. 13 | | | | |
| 381006745/1 | 1 | 1 | p. 15 | | | | |
| 381006753/0 | 1 | 1 | p. 13 | | | | |
| 381006753/0 | 1 | 1 | p. 15 | | | | |
| 381007442/1 | 4 | 2 | p. 25 | | | | |
| 381007445/1 | 6 | 2 | p. 25 | | | | |
| 381007448/1 | 9 | 2 | p. 25 | | | | |
| 381007455/1 | 11 | 2 | p. 25 | | | | |
| 381007462/1 | 2 | 2 | p. 25 | | | | |
| 381007463/1 | 7 | 2 | p. 25 | | | | |